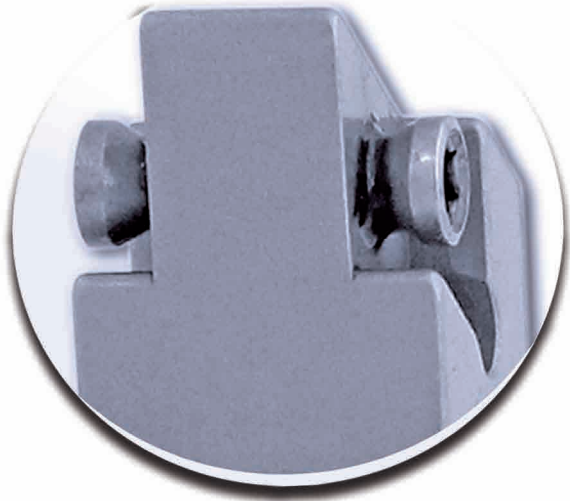


INNOVATION

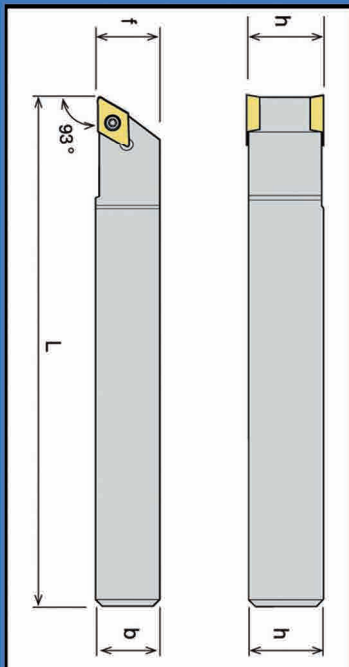


Increase your PRODUCTIVITY

the new double toolholder
for long and short turning
automatic lathes (with y-axis)

SDJCR 1616 K11-SW (for carbide inserts DCMT 11T3..)

Dimensions: $h=16$ / $b=16$ / $L=125$ / $f=16$

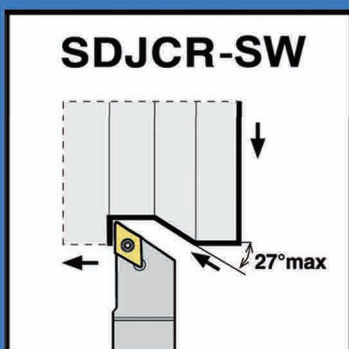


Increase the number of tooling stations from one to two with a change of rotation

Pre-turning with carbide insert DCMT 11T308 and final turning with DCMT 11T302 by using one toolholder

Increased flexibility for automatic lathes with a linear toolholder system

Square shaft for standard holders



GOLDBERG® Premium toolholders for long turning automatic lathes

*extract from our current assortment

ITEM NO..	DESIGNATION	b	h	L	f	CARBIDE INSERT
1113010	SCACR 1010 K06-S	10	10	125	10	CC.T 0602..
1113281	SCACL 1010 K06-S	10	10	125	10	CC.T 0602..
1113012	SCACR 1212 K09-S	12	12	125	12	CC.T 09T3..
1113282	SCACL 1212 K09-S	12	12	125	12	CC.T 09T3..
1113014	SCACR 1616 K09-S	16	16	125	16	CC.T 09T3..
1113283	SCACL 1616 K09-S	16	16	125	16	CC.T 09T3..
1113016	SCACR 2020 K09-S	20	20	125	20	CC.T 09T3..
1113284	SCACL 2020 K09-S	20	20	125	20	CC.T 09T3..

1113043	SDACR 1010 K07-S	10	10	125	10	DC.T 0702..
1113285	SDACL 1010 K07-S	10	10	125	10	DC.T 0702..
1113044	SDACR 1212 K07-S	12	12	125	12	DC.T 0702..
1113286	SDACL 1212 K07-S	12	12	125	12	DC.T 0702..
1113046	SDACR 1616 K07-S	16	16	125	16	DC.T 0702..
1113288	SDACL 1616 K07-S	16	16	125	16	DC.T 0702..
1113045	SDACR 1212 K11-S	12	12	125	12	DC.T 11T3..
1113287	SDACL 1212 K11-S	12	12	125	12	DC.T 11T3..
1113047	SDACR 1616 K11-S	16	16	125	16	DC.T 11T3..
1113289	SDACL 1616 K11-S	16	16	125	16	DC.T 11T3..
1113048	SDACR 2020 K11-S	20	20	125	20	DC.T 11T3..
1113290	SDACL 2020 K11-S	20	20	125	20	DC.T 11T3..

ITEM NO..	DESIGNATION	b	h	L	f	CARBIDE INSERT
1113068	SDJCL 1212 K11-S	12	12	125	12	DC.T 11T3..
1113077	SDJCR 1212 K11-S	12	12	125	12	DC.T 11T3..
1113294	SDJCR 1616 K11-S	16	16	125	16	DC.T 11T3..
1113295	SDJCL 1616 K11-S	16	16	125	16	DC.T 11T3..

1113214	SVACR 1212 K11-S	12	12	125	12	VC.T 1103..
1113291	SVACL 1212 K11-S	12	12	125	12	VC.T 1103..
1113215	SVACR 1616 K11-S	16	16	125	16	VC.T 1103..
1113292	SVACL 1616 K11-S	16	16	125	16	VC.T 1103..
1113216	SVACR 2020 K11-S	20	20	125	20	VC.T 1103..
1113293	SVACL 2020 K11-S	20	20	125	20	VC.T 1103..

1113243	SVJBL 1616 K11-S	16	16	125	16	VBM. 1103..
1113250	SVJBR 1616 K11-S	16	16	125	16	VBM. 1103..

1113256	SVJCL 1212 K11-S	12	12	125	12	VC.T 1103..
1113263	SVJCR 1212 K11-S	12	12	125	12	VC.T 1103..



For further information please visit our website:

www.goldberg-tech.de

TAM-Tools GmbH
 Karl-Carstens-Str. 9
 52146 Würselen

Telefon: +49 (0) 2405 / 4798 - 0
 Telefax: +49 (0) 2405 / 4798 - 20
info@goldberg-tech.de